



PC Base DVR



●● DN 34216 / 3416

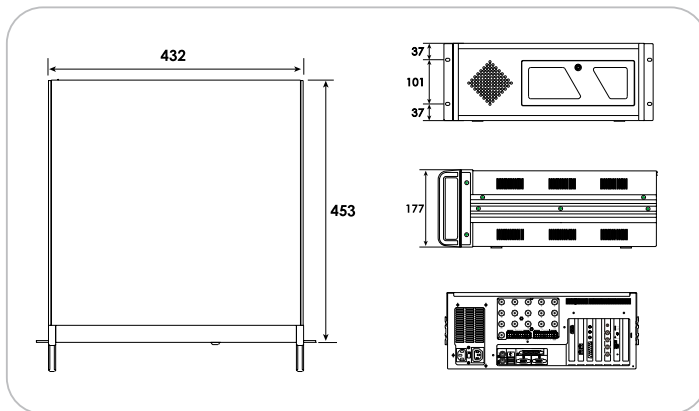
Front



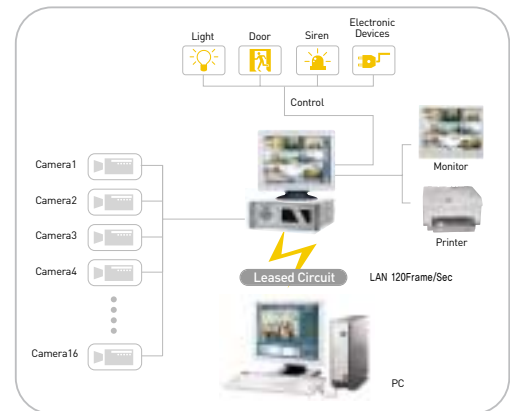
Rear

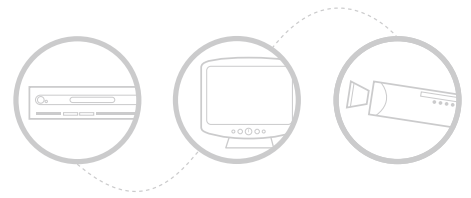


●● Outward Appearance



●● Organization





Functions by Screen



SURVEILLANCE SCREEN

- Multi-Picture Display up to 16 Cameras
- Programmable 1, 4, 9, 16 Split Screen
- Continuous or Synchronized Recording
- Perfect Real Time Image Surveillance
- Digital Zoom • Remote Surveillance
- User Definable Motion Detection & Audible Alarm
- Easy Operation with User Friendly GUI & On-Screen Menu



PAN / TILT SCREEN

- PTZ control up to 16 cameras (RS-422, RX Receiver-option)
- Function : Pan, Tilt, Zoom, Focus and Presets



SEARCH SCREEN

- Search by Date, Time and Camera
- Various Search Functions : Play back, forward & backward, skip, slow motion, pause, frame by frame, zoom In/Out and brightness control etc.
- Search image back-up by CD-RW, DVD-RW, USB, Network Drive
- Immediate Printing for Prosecution Evidence

Main Functions



REAL TIME MONITORING

Simultaneously record up to 16 cameras



SEARCH REAL-TIME

Search by date, time and camera



IMAGE COMPRESSION & STORAGE

High-resolution compression to average of 1-3kb per picture with Kodicom patented Engine-K CODEC Algorithm



MOTION TRACKING

Enables a camera to follow an object without manual intervention



IMAGE TRANSMISSION

High-speed remote video transmission (PSTN, ISDN & LAN network)



AUTO TRANSMISSION

Auto transmission to monitoring center when emergency occurs



MULTI SCREEN MONITORING

1, 4, 6, 9, 16 split monitoring

Features



Real time remote surveillance



More economical than time lapse V.C.R



Constant and event-controlled recording



Low management, operation and maintenance cost



Easy operation with a user friendly interface

- High resolution digital Image (No degradation)
- 3 levels of password protection
- Adjustable recording speed for each camera

Application

Financial institution, Apartment, Airports, Jewelry Stores, Department Stores, Weather Stations, Bus Station, Hospitals, Transportation Facilities, Parking Lots, Warehouse, Casinos, Military bases, Skiing Slope, Gas Station

Specifications

DN 34216 3416			
Display Speed	480f/s(NTSC), 400f/s(PAL)	Surveillance Method	Continuous / Motion Detection / Sensor or Pre-alarm recording
Recording Speed	240f/s 120f/s(NTSC), 200f/s 100f/s(PAL)		
Image Compression Algorithm	Engine-K(Developed by Kodicom)	PAN / TILT	RS-422/485
Image Compression Dimensions	640×480/320×240/160×120(NTSC)	AUDIO	1CH Mic input, Line out
	768×576/384×288/192×144(PAL)	USB Support	YES(USB 2.0)
Screen Division	1, 4, 9, 16 Division	Back-Up	HDD, CD-RW, DVD-RW, Network, USB Backup
Camera Input	16CH	Storage	Up to 4 HDD without CD-RW
Sensor Input	8CH(16Ch Optional)	Transmission speed	LAN : 120f/s(Max.), PSTN : 1~5f/s, ISDN : 3~10f/s
Control Output	8CH(16Ch Optional)	Option	WATCH-DOG
Remote Transmission	LAN/PSTN/ISDN/XDSL/Leased Circuit	Size	432mm(W)×177mm(H)×453mm(D)
Image Verification	WATER-MARK	Weight	18Kg