

## Front/ Rear View

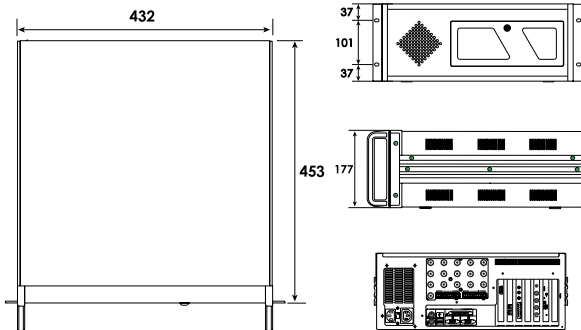
Front



Rear



## Outward Appearance



## Functions by Screen



WATCH SCREEN

PTZ SCREEN

SEARCH SCREEN

## Application

Some recommended installation areas are Security Companies, Change Booths, Casinos, Pawnshops, Jewelers, Galleries, Exhibition Halls, Department Stores, Convenience Stores, Discount Offices, Hospital, Police Stations, Subway Stations, Airports, Banks etc.

## Features

- High Quality Realtime Display – Max. 480fps(NTSC) 400fps(PAL)
- High Quality and High Speed Recording – Max. 120fps(NTSC) 100(PAL)
- Various Resolutions on Display and Recording – 640×480, 320×240, 160×120(NTSC), 768×576, 384×288, 192×144(PAL)
- Modified MPEG4
- 1, 4, 6, 9, 13, 16 Division
- Watchdog Function
- Kodicom, Pelco, Dennard, Bosch, Samsung and many more PTZ protocol included
- Watermark Function
- Remote Observation Through Network
- Emergency Screen Auto Transfer to Center Software
- User friendly Graphic User Interface

## Specifications

Model		DN-3516	
Display	Speed	NTSC: 480fps PAL: 400fps	
	Screen Division	1, 4, 9, 16 Division	
Recording	Max. Speed (@CIF)	NTSC : 120fps PAL : 100fps	
	Resolution	NTSC : 640×480, 320×240, 160×120 PAL: 768×576, 384×288, 192×144	
	Recording Option	Continuous, Motion, Sensor and Pre-Alarm	
Video	Format	NTSC/PAL	
	CODEC	Modified MPEG4	
	Input	16ch	
	Output	VGA, Programmable spot out (1ch full, 1ch division)	
System	OS	MS WINDOWS 2000	
Audio	Input	4ch (line input)	
	Output	1ch	
	CODEC	G. 726 (8KHz Mono)	
Alarm	Input	8 Ports	
	Output	8 Ports	
Network	Transmission	LAN/PSTN/ISDN/XDSL/Leased Circuit	
	Protocol	TCP/IP (support dynamic IP)	
Backup	Device	USB, CD-RW (optional), Network, DVD-RW (optional)	
Other Function	Remote Control	Remote Software (CMS)	
	Remote Alarm	E-mail, CMS report	
	PTZ	RS232C/485	
	W/D Function	Yes	
	Image Authentication	Watermark	
	Language	17 Languages	
	Password	Multi-Level User Password Authorization	
	USB	6 Port (USB 2.0)	
	Working Temperature		0°C ~ +50°C
	Power Source		AC 100 ~ 240V, 50/60Hz
Dimensions		430mm(W) × 176mm(H) × 460mm(D)	
Weight(net)		18Kg (39.6lbs)	

※ Specifications subject to change without notice.